



Health

# Certificate of Accreditation

## Sewage Management Facility

### Aerated Wastewater Treatment System

*This Certificate of Accreditation is issued by the Secretary of the NSW Ministry of Health pursuant to Clause 41(1) of the Local Government (General) Regulation 2005.*

*System: Super-Treat SB10 Concrete AWTs*

*Manufacturer: Super-Treat Systems Pty Ltd*

*Of: Unit 1 / 286 Princes Highway,  
SOUTH NOWRA, NSW, 2541*

*The Super-Treat SB10 Concrete AWTs as described in Schedule 1, has been accredited as a sewage management facility for use in a single domestic premises in NSW. This accreditation is subject to the conditions of accreditation and permitted uses specified in Schedule 2.*

*A/Director, Environmental Health  
for Secretary (delegation PH335)*

*Issued: 21 November 2016*

*Certificate No: AWTs 013*

*Expires: 31 December 2020*

## Schedule 1: Specification

### Super-Treat SB 10 Aerated Wastewater Treatment System

#### General Description

The Super-Treat SB 10 Aerated Wastewater Treatment System (AWTS) is designed to treat the wastewater from a residential dwelling occupied by a maximum of 10 persons. The Super-Treat SB 10 AWTS is contained in a vertical axis type cylindrical precast concrete septic tank and collection well with design capacities of 3400 litres each. The operational water level in the system is 1200 mm. The system consists of:

- A primary treatment tank with a capacity of 3400 litres;
- A secondary treatment tank with a capacity of 2580 litres and containing:
  - An aeration chamber with a total capacity of 2087 litres;
  - A clarifier chamber with a capacity of 285 litres;
  - A chlorine contact chamber with a capacity of 155 litres; and
  - An irrigation pump well with a capacity of 55 litres.
- A chlorine disinfection unit installed on the outlet of the clarifying chamber;
- Aeration and agitation in the aeration chamber is provided by a venturi air injection and mixing system through a submersible Orange model SP213 pump;
- A submersible Orange model SP213 irrigation pump (10 metre head).

## Schedule 2: Conditions of Accreditation

### 1.0 General

- 1.1 For each installation the owner/occupier of the premises shall make an application to the local council to install a Super-Treat SB 10 AWTS as a waste management facility in accordance with Section 68, Part C of the Local Government Act 1993 and Clause 26 of the Local Government (General) Regulation 2005.
- 1.2 The Super-Treat SB 10 AWTS shall be supplied, constructed and installed in accordance with the design as submitted and accredited by the NSW Ministry of Health.
- 1.3 Any modification or variations to the accredited design of the Super-Treat SB 10 AWTS shall be submitted for separate consideration and variation of the Certificate of Accreditation by the Secretary of the NSW Ministry of Health.
- 1.4 Each Super-Treat SB 10 AWTS shall be permanently and legibly marked on a non-corrosive metal plaque or equivalent, attached to the lid with the following information:
  - The brand name of the system;
  - The manufacturer's name or registered trademark;
  - The month and year of manufacture.
- 1.5 The manufacturer shall supply with each Super-Treat SB 10 AWTS an owner's manual, which sets out the care, operation, maintenance and on-going management requirements of the system.
- 1.6 The manufacturer shall provide the following information to each local authority where it is intended to install an AWTS in their area once Ministry accreditation has been obtained:

<ul style="list-style-type: none"><li>• Statement of warranty</li><li>• Statement of service life</li><li>• Quality Assurance Certification</li><li>• Installation Manual</li><li>• Service Manual</li><li>• Owner's Manual</li></ul>	<ul style="list-style-type: none"><li>• Service Report Form</li><li>• Engineering Drawings on A3 format</li><li>• Detailed Specifications</li><li>• A4 Plans</li><li>• Accreditation documentation from NSW Health.</li></ul>
---	---

## **2.0 Installation and Commissioning**

- 2.1 The local council should require that on completion of the installation of the Super-Treat SB 10 AWTS, the system is inspected and checked by the manufacturer or the manufacturer's agent. The manufacturer or the agent is to certify that the system has been installed and commissioned in accordance with its design, conditions of accreditation and any additional requirements of the local council.
- 2.2 The local council should require that all electrical work must be carried out by a licensed electrician and in accordance with the relevant provisions of AS/NZS 3000.

## **3.0 Maintenance**

- 3.1 The local council shall require the owner/occupier of the premises to enter into an annual service contract with a representative of Super-Treat Pty Ltd or a service contractor or company authorised by Super-Treat Pty Ltd and acceptable to the local council.
- 3.2 The Super-Treat SB 10 AWTS shall be serviced at three monthly intervals in accordance with the details set out in the owner's and service manual.
- 3.3 Each three monthly service shall include a check on all mechanical, electrical and functioning parts of the system including:
  - The chlorinator and replenishment of the disinfectant,
  - Pumps, air blower, fan or air venturi,
  - The alarm system,
  - Slime growth on the filter media,
  - Operation of the sludge return system,
  - The effluent irrigation area,
  - On-site testing for free residual chlorine, pH and dissolved oxygen.
- 3.4 The local council should require that a service report sheet, in triplicate, is completed for each service. The original shall be given to the owner, the duplicate forwarded to the local council and the triplicate retained by the service contractor.

## **4.0 On-going Management**

- 4.1 The owner's manual prepared by the manufacturer shall contain a plan for the on-going management of the Super-Treat SB 10 AWTS. The plan shall include details of:
  - the treatment process,
  - procedures to be followed in the event of a system failure,
  - emergency contact numbers,
  - maintenance requirements,
  - inspection and sampling procedures to be followed as part of the on-going monitoring program developed by the local council.
- 4.2 Effluent from the Super-Treat SB 10 AWTS taken in any random grab sample shall comply with the following standard:

• BOD <sup>5</sup>	less than 30 mg/L
• TSS	less than 45 mg/L
• E. coli	less than 100 cfu/100 ml
• Free residual chlorine	greater than 0.5 and less than 2.0 mg/L

## **5.0 Permitted uses**

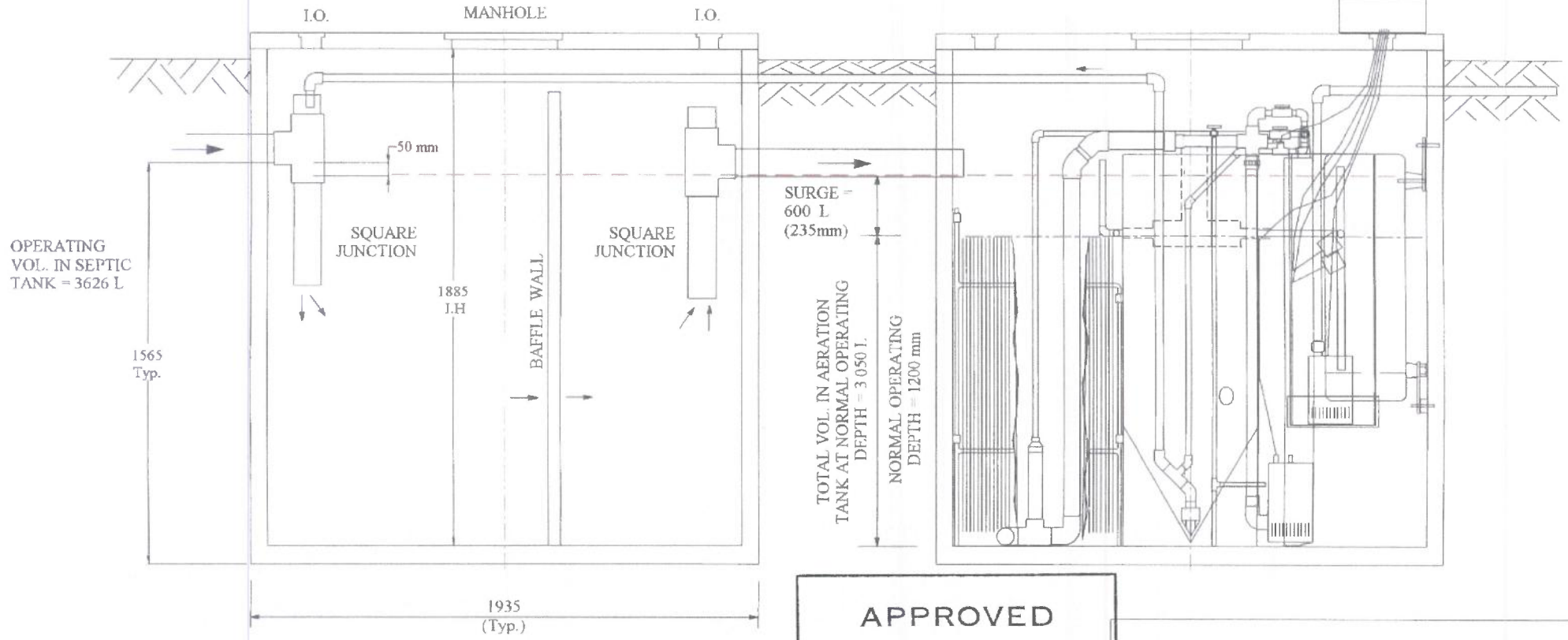
- 5.1 The effluent is suitable for re-use for garden purposes by way of any of the forms of irrigation as described in AS/NZS 1547:2000:
- above ground spray irrigation; or
  - surface drip irrigation covered by mulch; or
  - sub-surface drip irrigation installed at around 100 mm depth.

Each of the three forms of irrigation is subject to the approval of the local council.



**SEPTIC  
TANK  
3400 L  
(Concrete)**

**TREATMENT  
TANK  
3400 L  
(Concrete)**



**SCALE**



MILLIMETRES

REFER TO SPECIFICATION SHEET, No. 1 OF 1 FOR EQUIPMENT DESCRIPTION OF TREATMENT TANK.

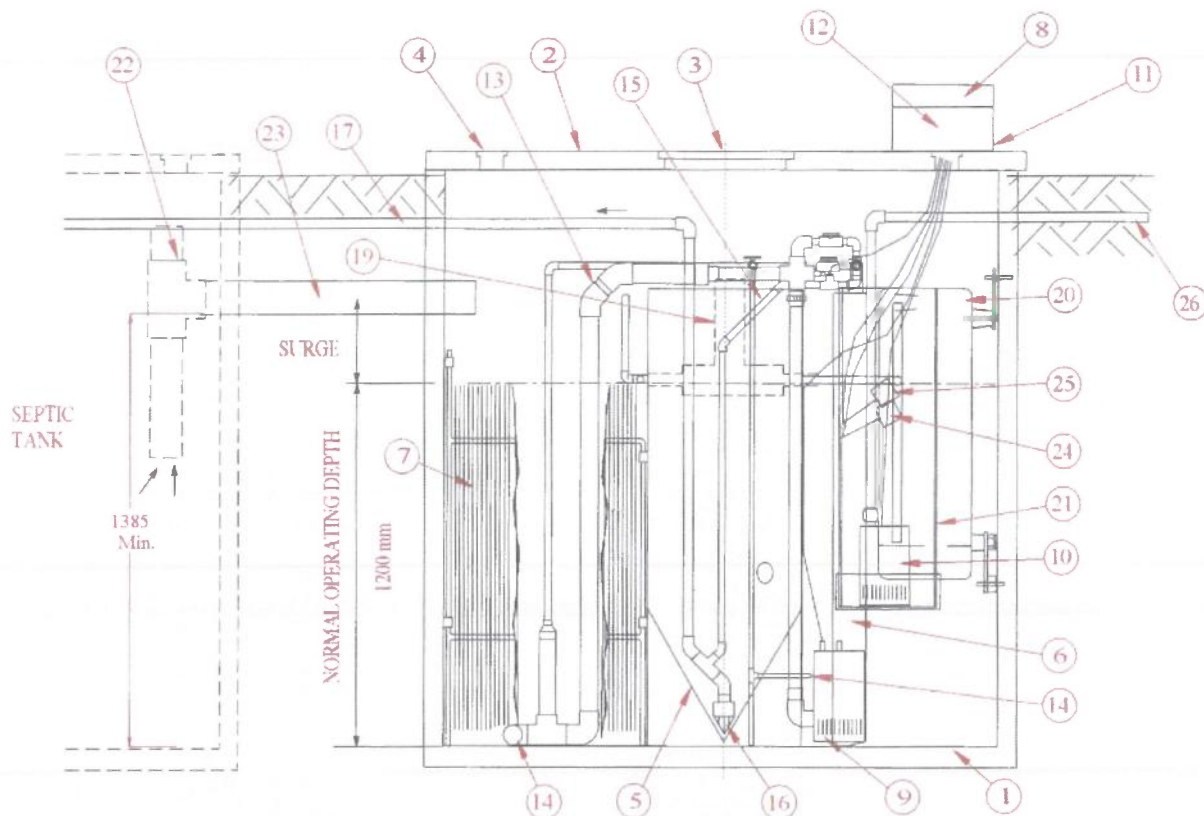
**APPROVED**  
2 1 NOV 2016  
NSW MINISTRY OF HEALTH

REVISION 6  
01.11.2005

**SUPER · TREAT**  
SEWAGE TREATMENT SYSTEMS

Unit 1/ 286 Princes Hwy  
SOUTH NOWRA N.S.W 2541  
PH. (02) 4421 7287

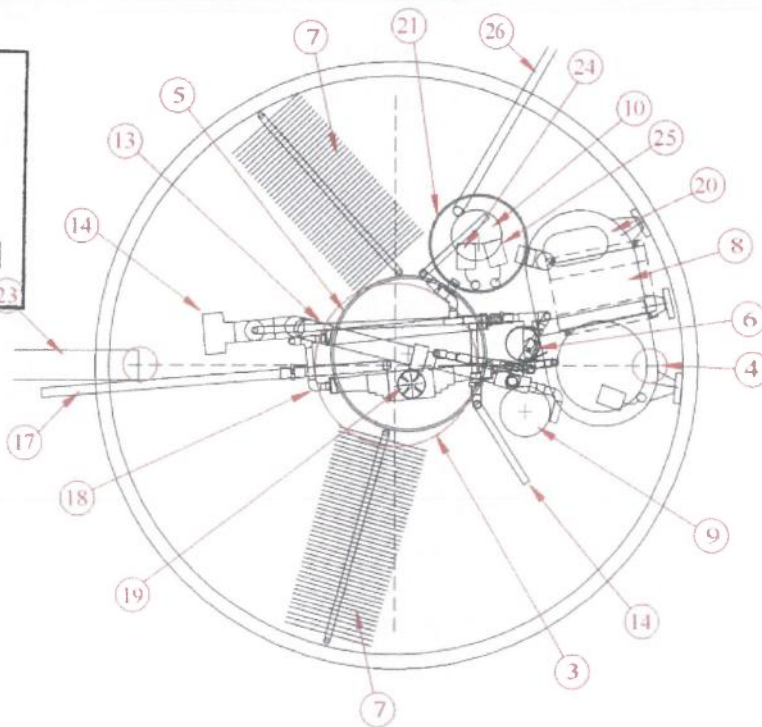
**MODEL No. SB 10**  
SEWAGE TREATMENT SYSTEM  
10 PERSONS



**APPROVED**  
**2 1 NOV 2016**  
**NSW MINISTRY OF HEALTH**

**LEGEND**

1. HOLDING WELL - 3400 L (Concrete)
2. TANK LID
3. MANHOLE AND COVER
4. INSPECTION OPENING
5. CONE BASE CLARIFIER
6. AIR WATER SEPARATOR
7. BIOLOGICAL GROWTH MEDIA
8. ELECTRICAL CONTROL UNIT
9. AERATION PUMP (Submersible)
10. IRRIGATION PUMP (Submersible)
11. INCOMING POWER
12. TIMING CLOCK
13. AIR WATER MIXER
14. AIR DIFFUSER PIPE WORK
15. SLUDGE RETURN AIR CONTROL
16. SLUDGE RETURN SUCTION HEAD
17. SLUDGE RETURN TO SEPTIC TANK
18. CHLORINATOR INLET
19. CHLORINE DISPENSOR
20. CHLORINE CONTACT TANK
21. PUMP-OUT CHAMBER
22. SEPTIC OUTLET JUNCTION
23. EFFLUENT FROM SEPTIC TANK
24. PUMP-OUT CONTROL FLOAT SWITCH
25. HIGH LEVEL WARNING FLOAT SWITCH
26. IRRIGATION LINE TO SPRAYS EMITTERS



REVISION 6  
01.11.2005

**SUPER · TREAT**  
 SEWAGE TREATMENT SYSTEMS

Unit 1 / 286 Princes Hwy  
 SOUTH NOWRA N.S.W 2541  
 PH. (02) 4421 7287

**MODEL No. SB 10**  
 SEWAGE TREATMENT SYSTEM  
 10 PERSONS

NOT TO SCALE

SHEET No. 1 of 1